

# SEALMAX™ COMBINATION SEAL

## Pile Sealing for Wood Windows and Patio Doors

Timberseal™ weatherstripping offers all the performance benefits you expect from Pro-Fin™ but in new designs for easy kerf insertion. The barbed anchor, made of rigid polypropylene, locks the seal within the kerf slot of any frame material.

### Product Specifications:

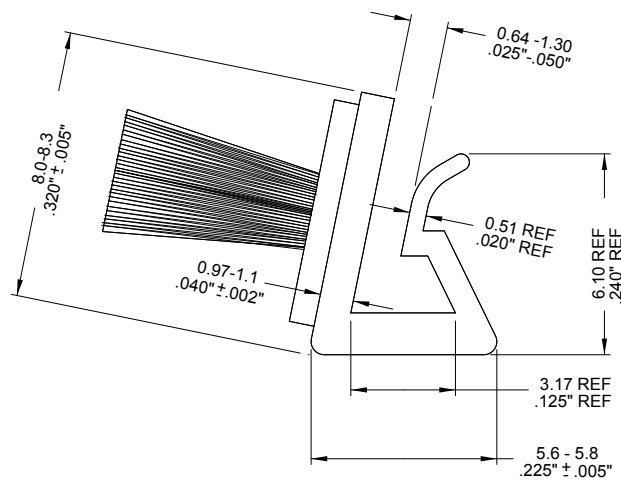
Kerf leg of rigid polypropylene attached to 0.187"/4.75mm backing, medium density pile weatherstripping.

**Variations:** 4600 series (black), 4800 (grey), 4900 (white)

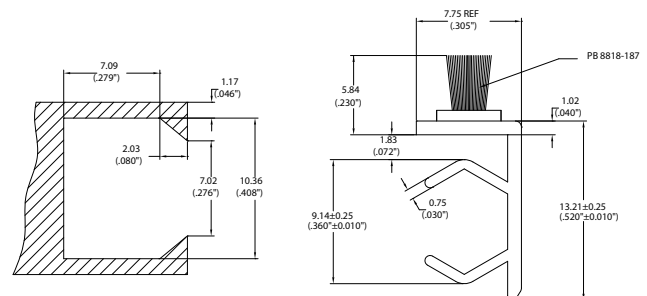
Available in: TS, TFS, THFS

Kerf Legs Available: -34, -36, -37, -39, -46, -50

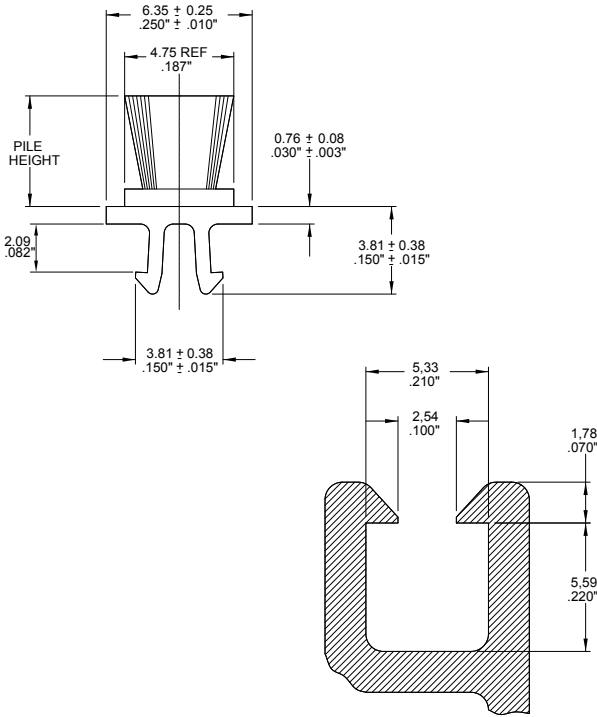
Not all heights have been made in all varieties



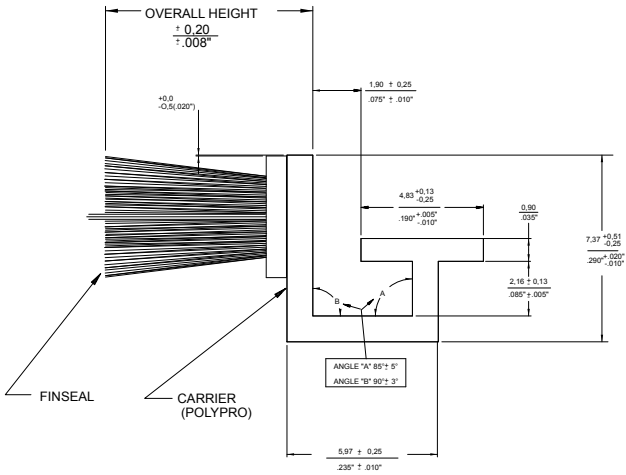
SS 6900



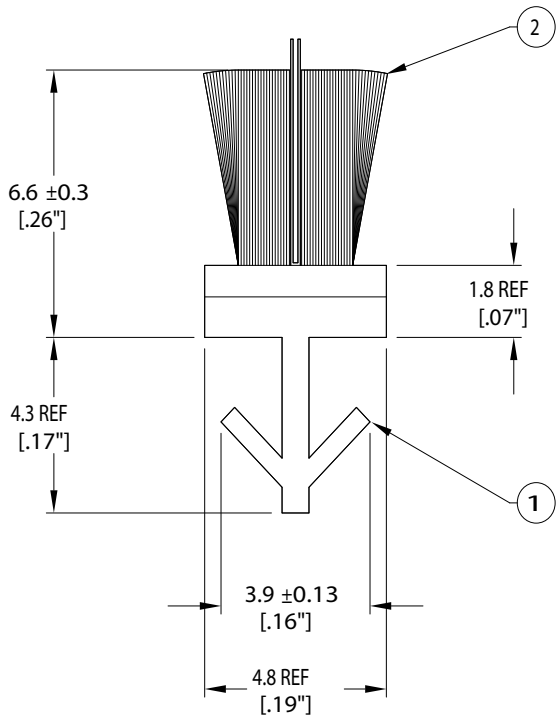
TAS 5654



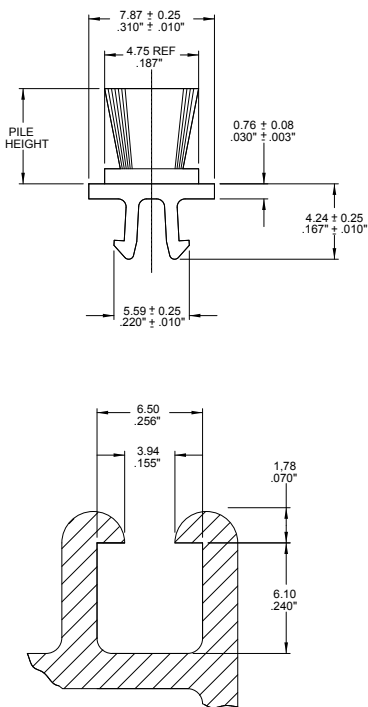
TAFS 4000-36



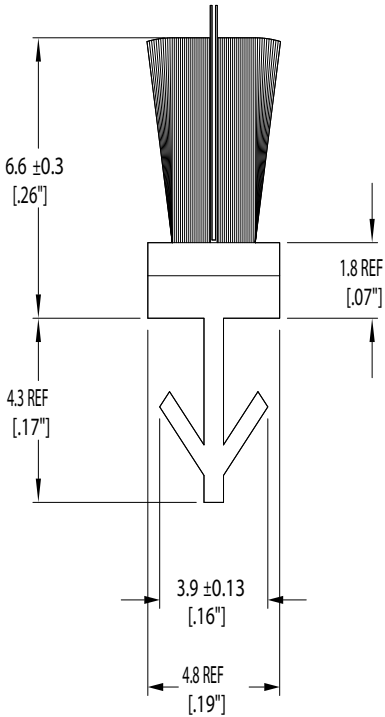
TAFS 4000-36



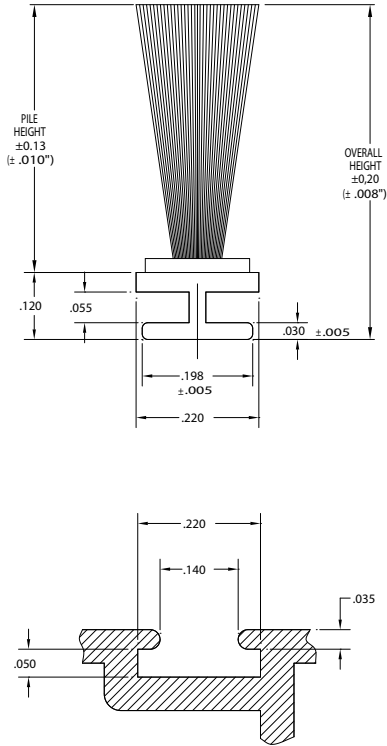
TFS 4000-39



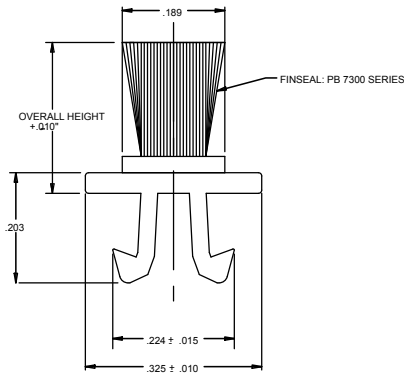
TFS 4660-58



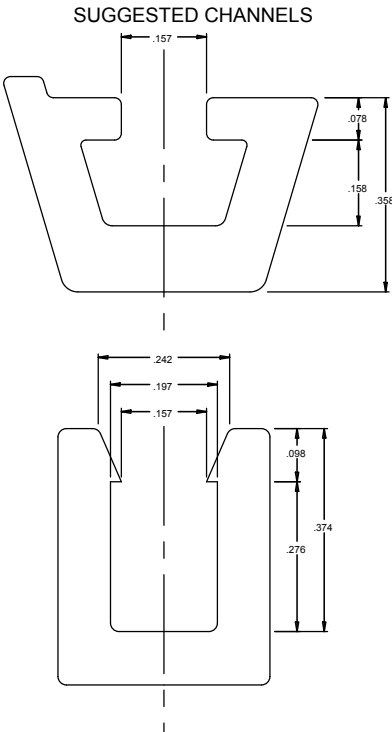
TFS 4866-39

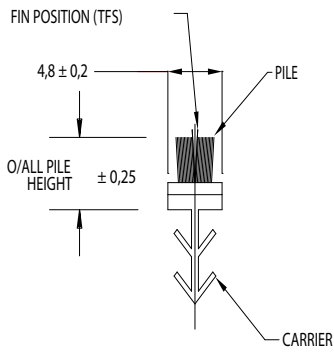


TS 6000-49

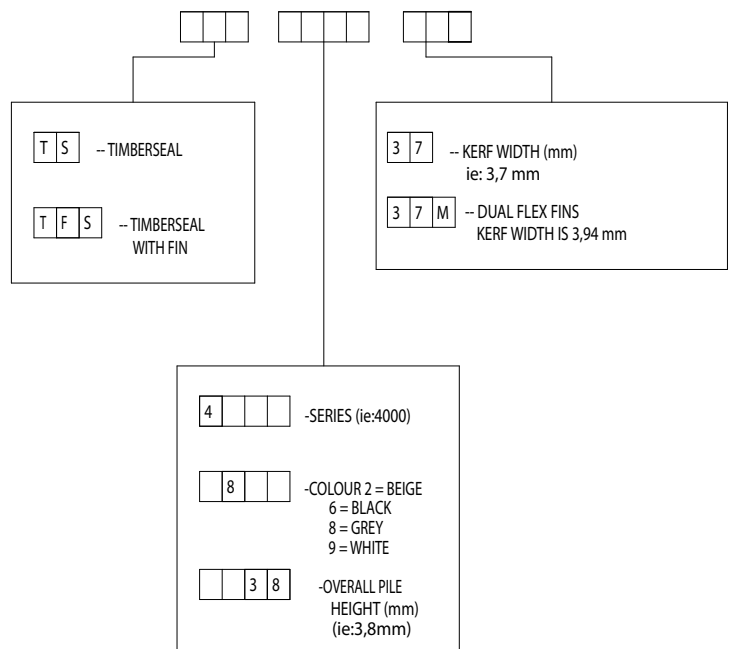


TFS 4900-50

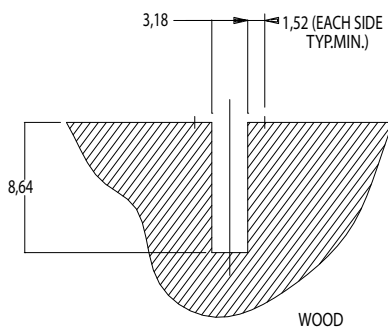




## PART NAME CODE



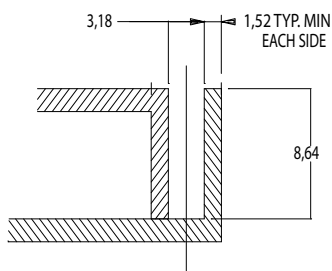
## WEATHER STRIPPING (REFER TO TABLE)



WOOD

## RECOMMENDED KERF SIZE

METAL



COLOUR	FINSEAL WEATHER STRIPPING				NON-FIN WEATHER STRIPPING			
	BEIGE	BLACK	GREY	WHITE	BEIGE	BLACK	GREY	WHITE
PART NAME	TFS-4200-37	TFS-4600-37	TFS-4800-37	TFS-4900-37	TS-4200-37	TS-4600-37	TS-4800-37	TS-4900-37
LACE SERIES	FS-2400-187	FS-7200-187	FS-7600-187	FS-7300-187	PB-2200	PB-9200	PB-8300	PB-8800

# SEALMAX

The Sealmax brand started in 2000; however, we have been manufacturing weatherseal and weatherstripping since 1931. Originally doing business as Schlegel Canada Inc., Sealmax has undergone many changes since then, but one thing remains the same — quality products for windows and doors.

## ADDRESS

514 South Service Road East  
Oakville, ON L6J 2X6  
Telephone 1-866-458-3707  
Fax 1-905-845-6558

## EMAIL

General Information: [info@sealmax.com](mailto:info@sealmax.com)  
Sales: [sales@sealmax.com](mailto:sales@sealmax.com)

[sealmax.com](http://sealmax.com)